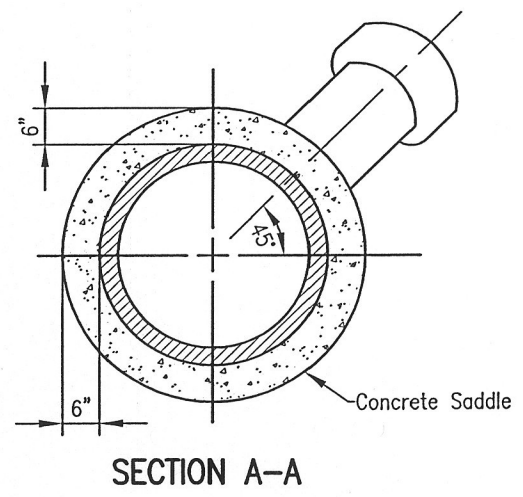
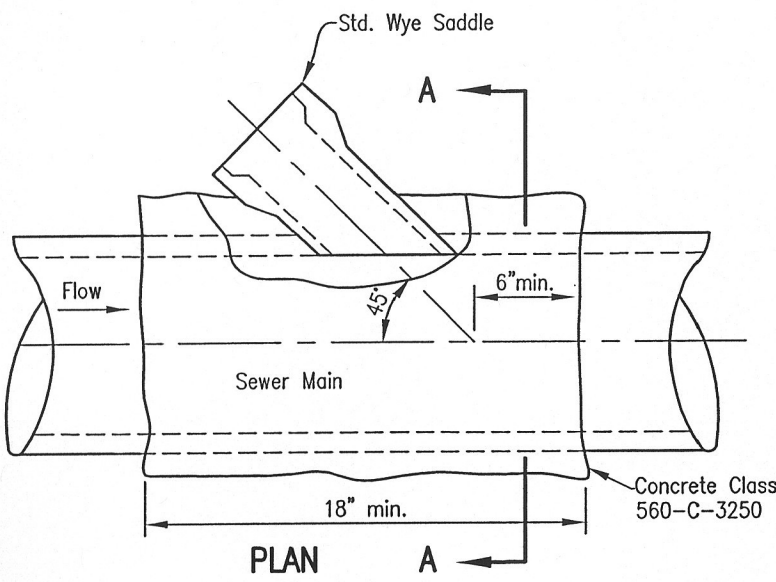


SEWER LATERAL CONNECTION TYPE A
(Cut - in Wye)



SEWER LATERAL CONNECTION TYPE B
(Saddle Installation)

NOTES:

1. Type B requires special approval and to be used only on large mains with heavy flows and will be cored.
2. Type A use 4" wide minimum stainless steel coupling at connection to sewer main.



3-25-04
DATE APPROVED

[Signature]
PUBLIC WORKS DIRECTOR/C.E.
[Signature]
ASSISTANT CITY ENGINEER

CITY OF ORANGE PUBLIC WORKS DEPARTMENT

SEWER LATERAL CONNECTIONS
TYPE A AND TYPE B

STANDARD
PLAN No.
207